



»» Features

- Low Profile Micro ISO automotive relay.
- SPNO contact configuration.
- Switches up to 25A resistive load, 100,000 ops., 23°C.
- Operating ambient temperature -40°C to 105°C.
- Optional resistor or diode for coil transient suppression.
- Complies with RoHS-Directive 2011/65/EU and ELV-Directive 2000/53/EC.

»» Type List

Terminal style	Contact form	Designation (provided with)	Enclosure style		
			Dust cover	Flux tight	Sealed type
Micro ISO Footprint	1A (SPNO)	-----	108-1AH-D	108-1AH-C	108-1AH-V
		Resistor	108-1AH-D-R1	108-1AH-C-R1	108-1AH-V-R1
		Diode	108-1AH-D-D1	108-1AH-C-D1	108-1AH-V-D1

»» Ordering Information

108 - 1A H - D -
 1 2 3 4 5 6

- | | |
|------------------------------------|---|
| 1. 108 -- Basic series designation | 5. Blank -- Standard type |
| 2. 1A -- Single pole normally open | R1 -- Coil parallel with 1/2W resistor for 12V 1.1K Ω |
| 3. H -- Contact material AgSnO | D1 -- Coil parallel with diode 1N4007 the positive pole on #1 terminal |
| 4. D -- Dust cover | |
| C -- Flux tight | 6. <input type="checkbox"/> -- Coil voltage (please refer to the coil rating data for the availability) |
| V -- Sealed type | |

»» Contact Rating

Resistive	NO : 25A 14VDC ; ON 2s / OFF 2s ; 100K ops.
-----------	---

»» Coil Rating (DC)

Rated voltage (V)	Rated current ±10 % at 23°C (mA)	Coil resistance ±10 % at 23°C (Ω)	Max. continuous voltage at 80°C ⁽¹⁾	Pick up voltage(Max.) at 23°C	Drop out voltage(Min.) at 23°C	Power consumption at rated voltage
12	66	180	16V	8.0V	0.6V	approx. 0.8W

Note : (1) With 20A contact current

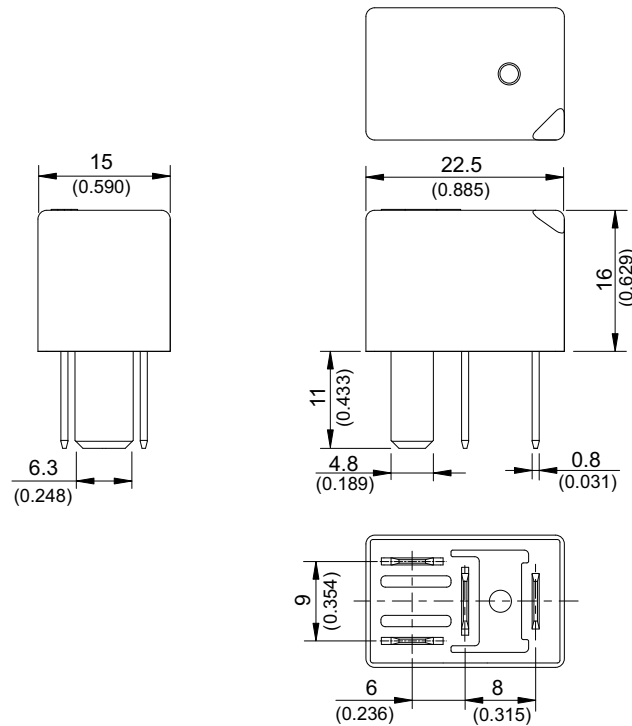
»» Specification

Contact material	AgSnO alloy
Contact voltage drop ⁽¹⁾	Typ. 50mV at 10A
Operate time ⁽¹⁾	10 ms Max.
Release time ⁽¹⁾	10 ms Max.
Insulation resistance ⁽¹⁾	20 MΩ Min. (DC 500V)

Dielectric strength ⁽¹⁾	Between open contact	: AC 500V, 50/60Hz 1 min.
	Between contact and coil	: AC 500V, 50/60Hz 1 min.
Vibration resistance	Operating extremes	10~500Hz , 5.0G
	Damage limits	10~500Hz , 5.0G
Shock resistance	Operating extremes	10G
	Damage limits	100G
Life expectancy	Mechanical	1,000,000 operations (frequency 18,000 operations/hr)
Operating ambient temperature	-40 ~ +105°C (no freezing)	
Weight	Approx. 15 g	

Note : (1) Initial value. Operate and release time excluding contact bounce.

»» Outline Dimensions



»» Wiring Diagram

BOTTOM VIEW

